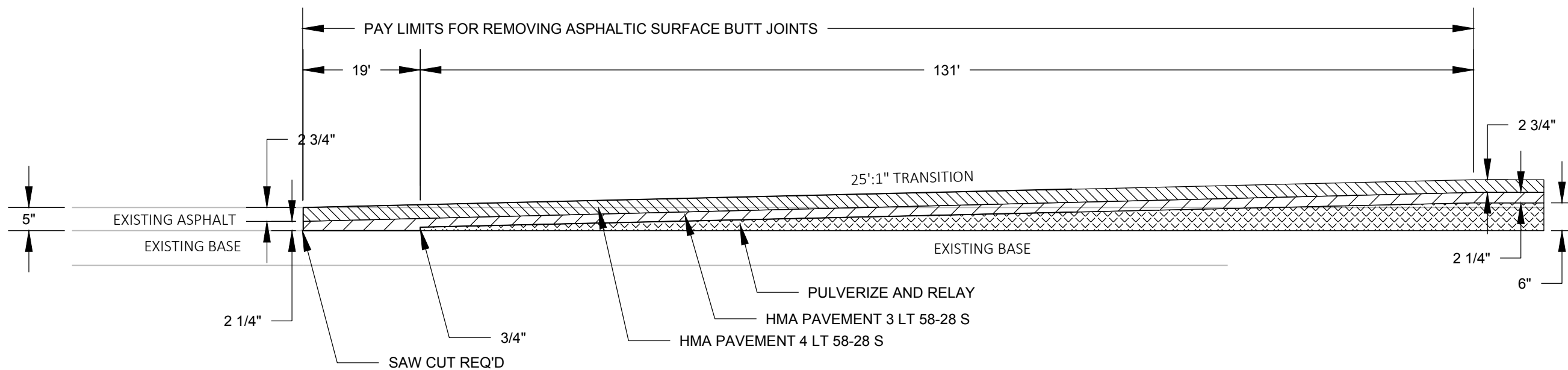


BUTT JOINT DETAIL FOR OVERLAY ON MAINLINE AND SIDEROADS

CTH MN START  
WILLIAMS DRIVE WEST  
WILLIAMS DRIVE EAST  
OAK STREET  
STONEDAHL ROAD



BUTT JOINT DETAIL FOR PULVERIZE AND RELAY ON MAINLINE AND SIDEROADS

CTH MN END