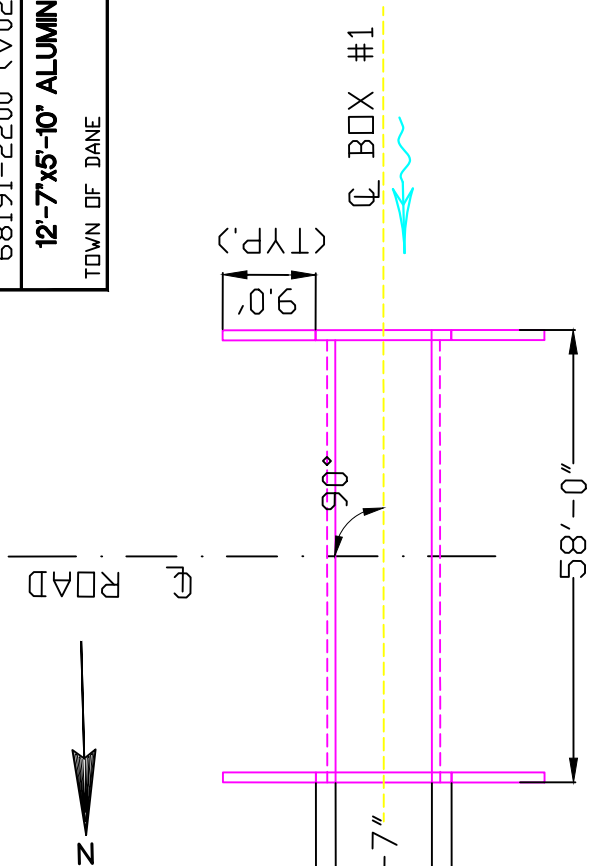


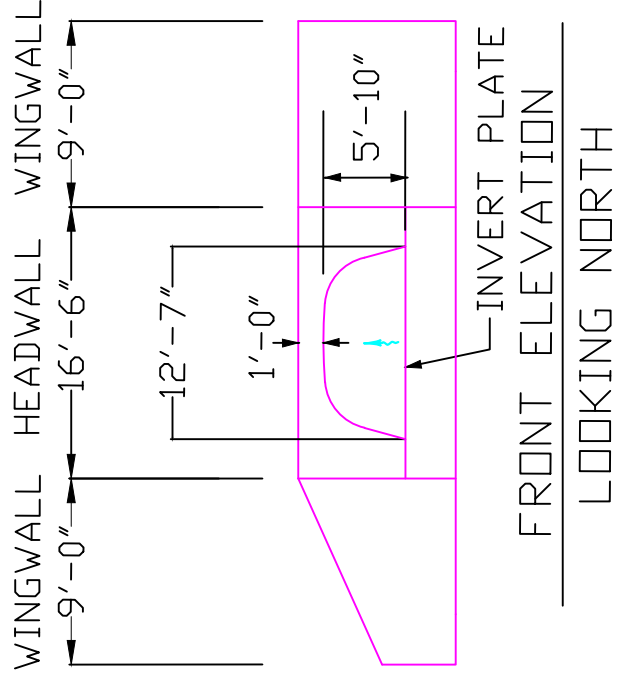
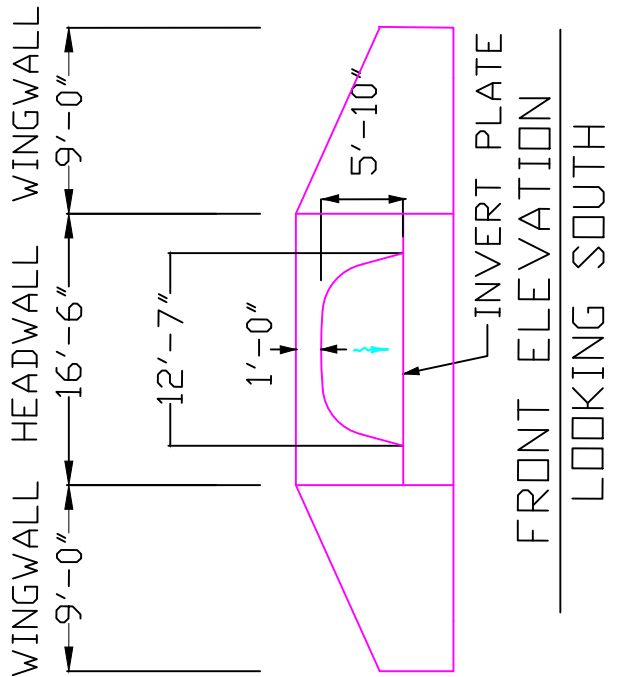
COUNTY PROJECT	SHEET NO.
68191-2200 (V02-1.989)	1 OF 1
<b>12'-7"x5'-10" ALUMINUM BOX CULVERT</b>	
TOWN OF DANE	DANE COUNTY

# ATTACHMENT "A"



PROPOSED Q ELEV.=1046.5'  
 US INVERT EL.=1038.1'  
 DS INVERT EL.=1037.9'  
 2.5' COVER AT Q  
 2.0' MIN. COVER AT EOP  
 1.0' HEADWALL

### PLAN VIEW



## NOT TO SCALE