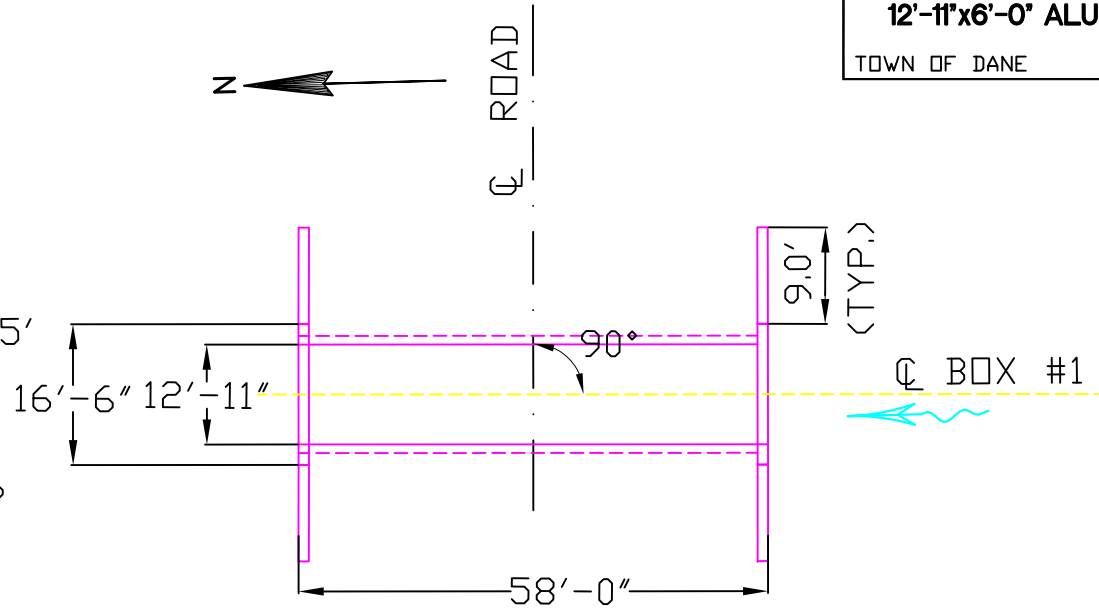


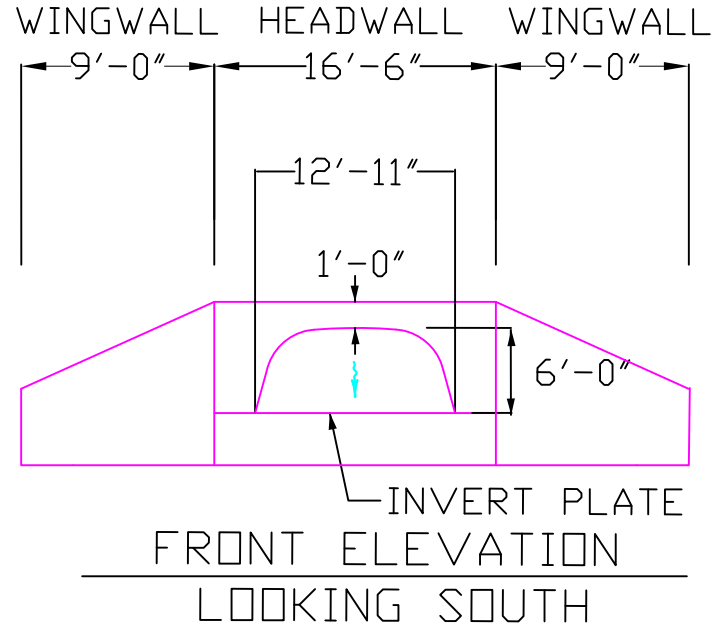
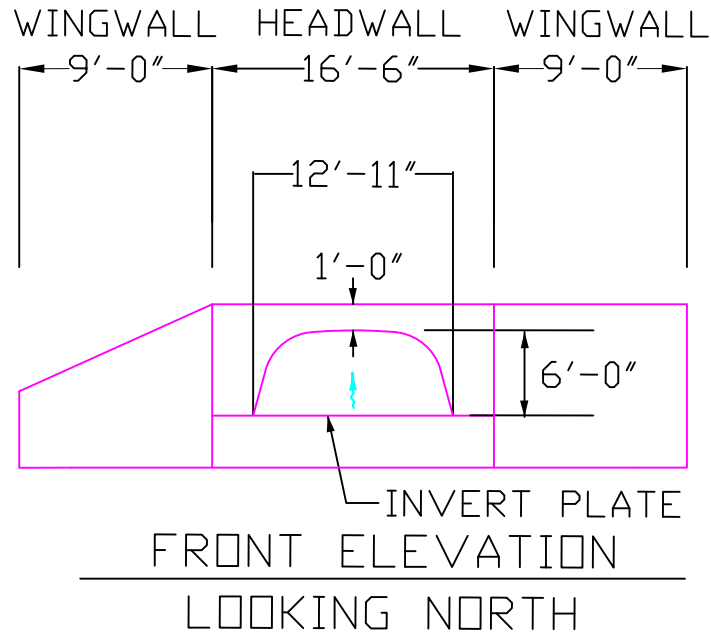
****REVISED****

COUNTY PROJECT	SHEET NO.
68191-2200 (V02-1.989)	1 OF 1
12'-11"x6'-0" ALUMINUM BOX CULVERT	
TOWN OF DANE	DANE COUNTY

PROPOSED C ELEV.=1046.5'
 US INVERT EL.=1038.1'
 DS INVERT EL.=1037.9'
 2.25' COVER AT LC
 1.75' MIN. COVER AT EDP
 1.0' HEADWALL



PLAN VIEW



NOT TO SCALE

ATTACHMENT "A"